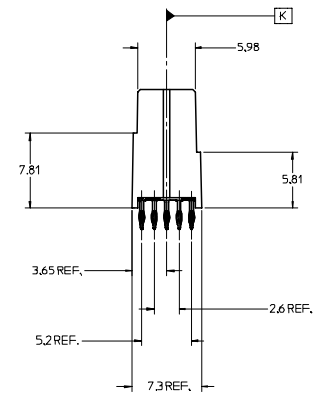
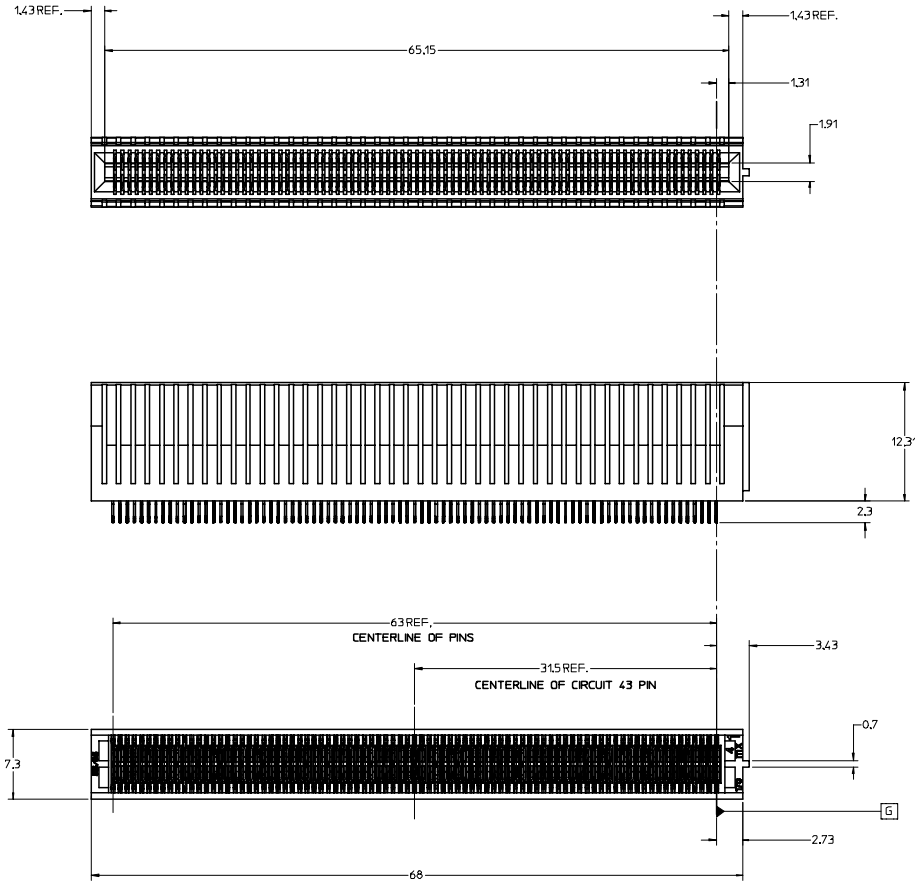


NOTES:

1. MATERIAL:
HOUSING - GLASS FILLED THERMOPLASTIC, 94-VO, BLACK
TERMINALS - BRASS
2. FINISH:
TERMINALS - 0.76 MICRONS MINIMUM GOLD IN THE CONTACT AREA AND 0.76 - 152 MICRONS TIN IN PRESSFIT TAIL AREA OVER 127 MICRONS MINIMUM NICKEL OVERALL.
3. REFER TO PS-XXXXX-XXX PRODUCT SPECIFICATION FOR ALL ELECTRICAL, MECHANICAL AND ENVIRONMENTAL SPECIFICATIONS.
4. REFER TO PK-75594-999 FOR ALL PACKAGING SPECIFICATIONS.
5. PROCESSING: PRESSFIT TO PC BOARD.
6. IN ORDER TO PROVIDE OPTIMAL ELECTRICAL PERFORMANCE, THE MATING BOARD MUST MEET REQUIREMENTS OF AMCO R2 SPECIFICATION.
7. MATING PC BOARD THICKNESS = 1.60±0.16MM OVER CONTACT PADS.



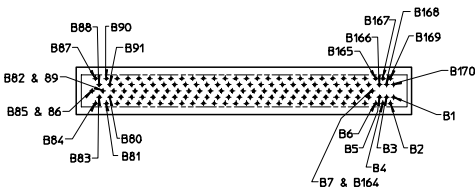
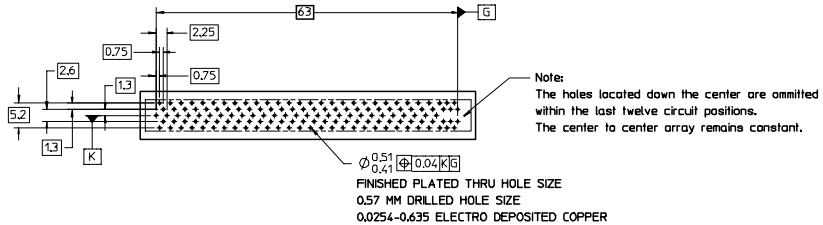
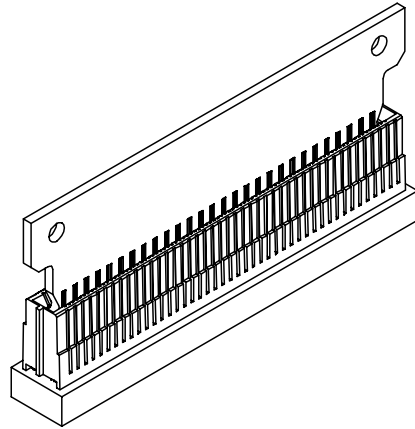
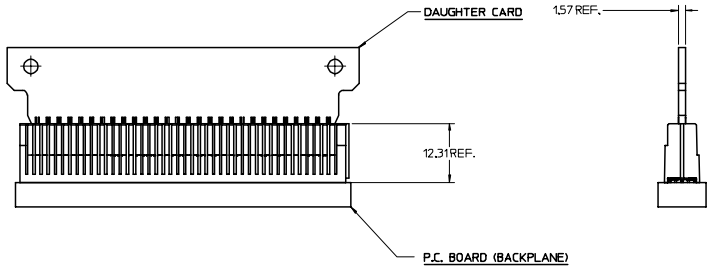
ADDED 7.81 DIM. EC NO: UCP2007-2765 D DRWINBWLSON 2007/04/26 CHKD: 2007/05/04 APPR: JCOMERL 2007/05/04	QUALITY SYMBOLS	GENERAL TOLERANCES (UNLESS SPECIFIED)	DIMENSION STYLE	SCALE	DESIGN UNITS	THIRD ANGLE PROJECTION
	▽=0 ▽=0	mm INCH 4 PLACES ± --- ± --- 3 PLACES ± --- ± --- 2 PLACES ± 0.13 ± --- 1 PLACE ± 0.25 ± --- ANGULAR ±1/2°	MM ONLY	2:1	METRIC	
	DESCRIPTION	DRAFT WHERE APPLICABLE MUST REMAIN WITHIN DIMENSIONS	MATERIAL NO.	755940000	DOCUMENT NO.	SD-75594-001
			SIZE	D	THIS DRAWING CONTAINS INFORMATION THAT IS PROPRIETARY TO MOLEX INCORPORATED AND SHOULD NOT BE USED WITHOUT WRITTEN PERMISSION	

SALES ASSEMBLY
EDGE CARD, 75 MM PITCH
170 CIRCUIT

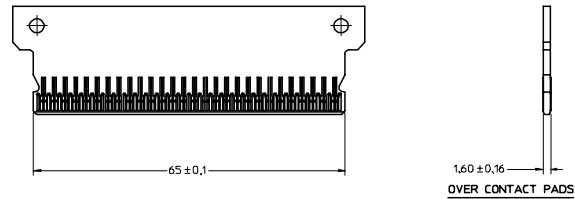
MOLEX MOLEX INCORPORATED

SHEET NO.
1 OF 2

P.C. BOARD MOUNTING



MOTHER BOARD HOLE LAYOUT



DAUGHTER CARD
SEE SPECIFICATION AMC.D R2

SEE SHEET 1 EC NO: UCP2007-2765 DRAWN: BILSON 2007/04/26 CHKD: 2007/05/04 APPR: JCOMERL 2007/05/04 REV DESCRIPTION	QUALITY SYMBOLS	GENERAL TOLERANCES (UNLESS SPECIFIED)	DIMENSION STYLE	SCALE	DESIGN UNITS	THIRD ANGLE PROJECTION
	$\nabla=0$ $\nabla=0$	4 PLACES ± --- ± --- 3 PLACES ± --- ± --- 2 PLACES ± 0.13 ± --- 1 PLACE ± 0.25 ± --- ANGULAR ± 1/2°	MM ONLY DRAWN BY DATE CHECKED BY DATE APPROVED BY DATE	1:1	METRIC	SALES ASSEMBLY EDGE CARD, 75 MM PITCH 170 CIRCUIT
	DRAFT WHERE APPLICABLE MUST REMAIN WITHIN DIMENSIONS	MATERIAL NO. SEE SHEET 1 SIZE D	DOCUMENT NO. SD-75594-001	MOLEX INCORPORATED		SHEET NO. 2 OF 2
	THIS DRAWING CONTAINS INFORMATION THAT IS PROPRIETARY TO MOLEX INCORPORATED AND SHOULD NOT BE USED WITHOUT WRITTEN PERMISSION					